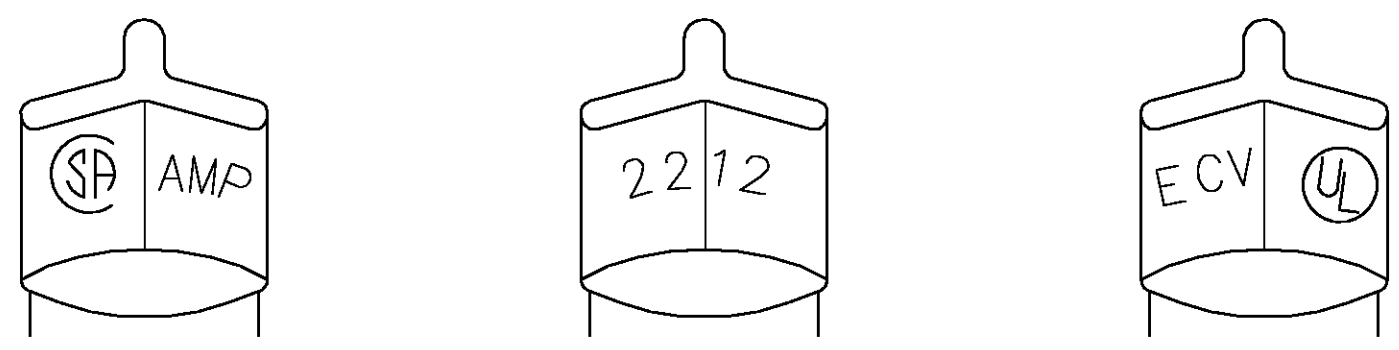


THIS DRAWING IS UNPUBLISHED. RELEASED FOR PUBLICATION
 © COPYRIGHT BY TYCO ELECTRONICS CORPORATION. ALL RIGHTS RESERVED.

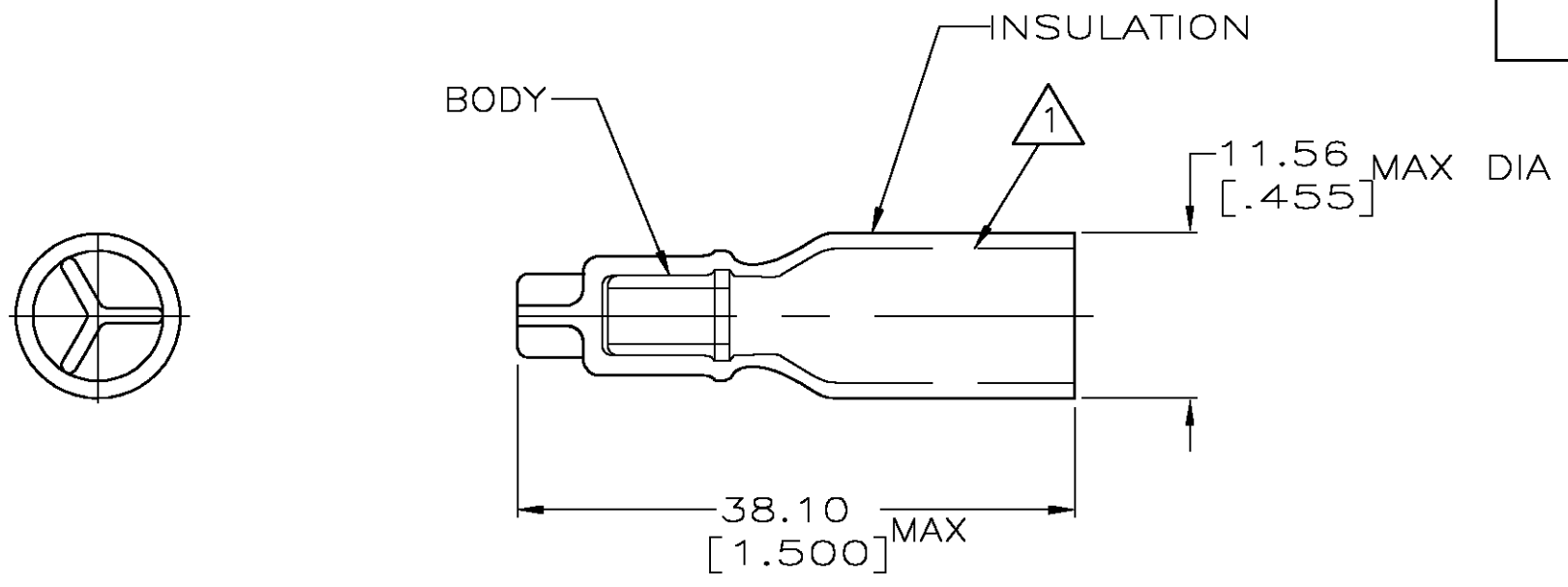
LOC	DIST	REVISIONS					
		P	LTR	DESCRIPTION	DATE	DWN	APVD
G	14		L	REV PER 0G3A-0256-04	08APR04	JR	TM



STAMPING DETAIL

- △1 FOR9.14 [.360] MAX WIRE INSULATION DIA.
- △2 SUPERSEDED BY 53234-1
- △3 MATERIAL: BODY; COPPER PER ASTM B152 INSULATION; PVC COLOR: TRANSLUCENT
- △4 FINISH: BODY; TIN PLATE PER ASTM B545

AMP WIRE RANGE	Listed	LR7189 Certified
22-12 AWG STRANDED	22-12 AWG STRANDED	22-12 AWG STRANDED



100	LOOSE PC, BOX	8-53234-1 △2
250	LOOSE PIECE	53234-1
QTY	DESCRIPTION	PART NO

AMP INCORPORATED CUSTOMER SERVICE SYSTEMS		MAX RECOMMENDED OPERATING TEMPERATURE: 105° C MAX	THIS DRAWING IS A CONTROLLED DOCUMENT.		DWN G KRUPER 1/15/93	tyco Tyco Electronics Corporation Harrisburg, PA 17105			
FOR ADDITIONAL PRODUCT INFORMATION OR COPIES OF DRAWINGS AND TECHNICAL DOCUMENTS	PRODUCT INFORMATION CENTER 1-800-522-6752	VOLTAGE RATING: 600V MAX (BUILDING WIRING) 1000V MAX (FIXTURES & SIGNS)	DIMENSIONS: mm [INCHES]	TOLERANCES UNLESS OTHERWISE SPECIFIED:	CHK R HERSEY 1/15/93	NAME SPLICE, CLOSED END, WIRE SIZE, 22-12 AWG			
FOR APPLICATION TOOLING INFORMATION	TOOLING ASSISTANCE CENTER 1-800-722-1111	CIRCULAR MIL AREA: 1.65-5.78mm² [3248-11400] STRANDED		0 PLC ± - 1 PLC ± - 2 PLC ± 0.20 [.008] 3 PLC ± - 4 PLC ± - ANGLES ± -	APVD M ELLIS 1/15/93	PRODUCT SPEC UL 486 C			
FOR ORDER ENTRY	1-800-526-5142	THIS DRAWING IS A CONTROLLED DOCUMENT FOR AMP INCORPORATED. IT IS SUBJECT TO CHANGE AND THE CONTROLLING ENGINEERING ORGANIZATION SHOULD BE CONTACTED FOR THE LATEST REVISION.	MATERIAL - △3	FINISH - △4	APPLICATION SPEC -	SIZE A3	CAGE CODE 00779	DRAWING NO C-53234	RESTRICTED TO -
CUSTOMER DRAWING					SCALE 2:1	SHEET 1	OF 1	REV L	